



# LED WALL PACK LIGHT

Power&CCT Tunable

APPLICATIONS: Building facades, security, general outside lighting.



## PRODUCT SPECIFICATIONS

- Delivering up to 150LPW
- CRI: Ra > 70
- CCT Tunable: 3000K / 4000K / 5000K
- 3 different power tunable
- Photocell for easy energy savings
- Dimmable: 0-10V
- Estimated Lifetime @ 25 °C: > 54,000 hours
- Power Factor: > 0.95
- Total Harmonic Distortion: < 15% at full load
- Limited Warranty: 5years
- IP Rating: Wet location
- Operating Temperature Range: -22°F to 104° F (-30°C to 40°C)

## ORDERING INFORMATION

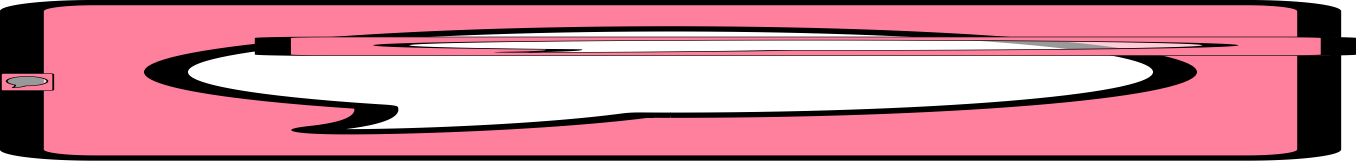
MODEL	INPUT VOLTAGE	POWER (TUNABLE)	CCT (TUNABLE)	CRI	LUMINOUS EFFICIENCY	DIMMABLE	LIMITED WARRANTY
AH LED WALL PACK	120-277VAC	40W/50W/60W	3000K/4000K/5000K	Ra > 70	150lm/W	0-10V	5 years

## FIXTURE SPECIFICATIONS

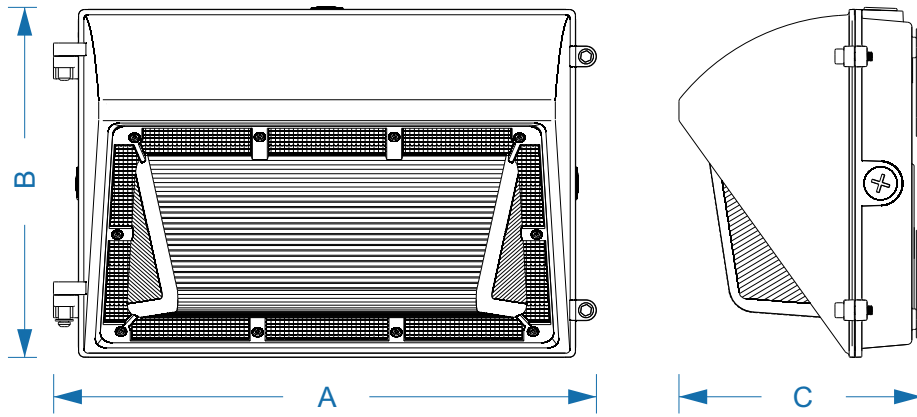
<b>HOUSING</b>	Die-cast aluminum body
<b>LENS ASSEMBLY</b>	High impact polycarbonate diffused lens
<b>MOUNTING</b>	Wall Mount Only
<b>RECOMMENDED USE</b>	Commercial / Entryways / Perimeter Lighting / Security

## LUMINAIRE AND ELECTRICAL PERFORMANCE

OPERATING TEMPERATURE RANGE	ESTIMATED LIFETIME @ 25 °C (77 ° F)	POWER FACTOR	TOTAL HARMONIC DISTORTION	DIMMABLE
-22°F to 104°F (-30°C to 40°C)	54,000 hours	> 0.95 at full load	< 15% at full load	0-10V Dimming

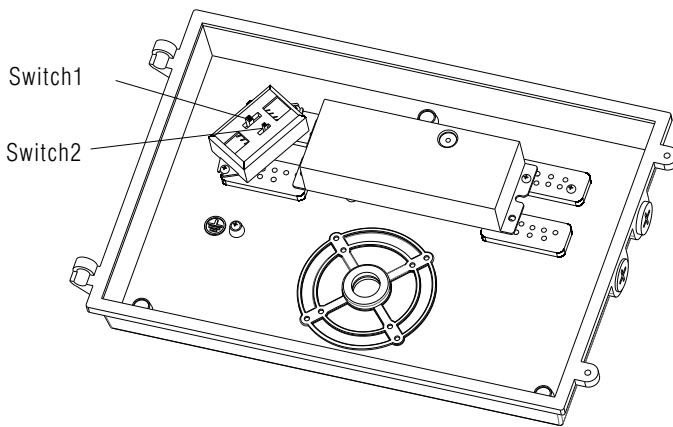


## PRODUCT DIMENSIONS



MODEL	A(inch)(mm)	B(inch)(mm)	C(inch)(mm)
AH LED WALL PACK	14-5/16" (363.73mm)	9-3/16" (233.17mm)	6-27/64" (163mm)

## POWER&CCT TUNABLE



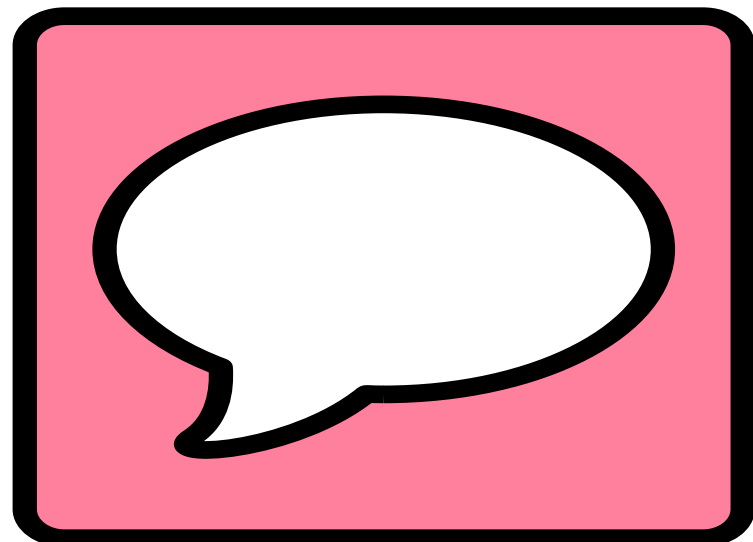
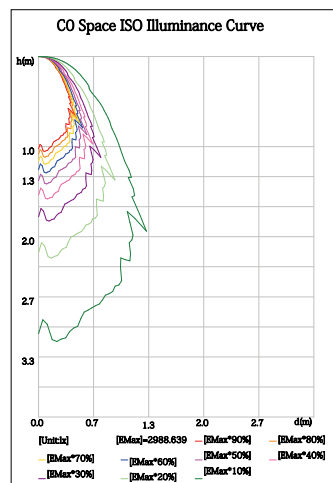
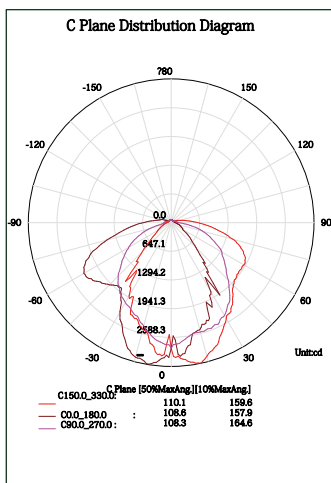
### CCT TUNABLE(SWITCH1)



### POWER TUNABLE(SWITCH2)



## LUMINOUS INTENSITY DISTRIBUTION DIAGRAM



# INSTALLATION INSTRUCTIONS



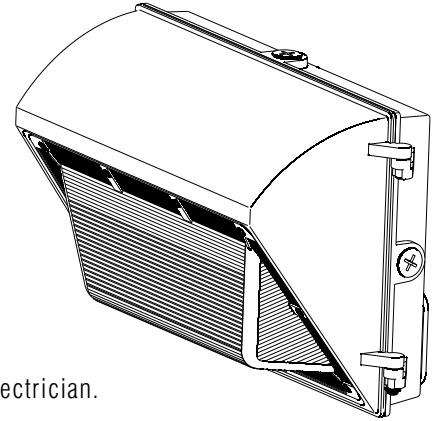
CAUTIONS

## IMPORTANT SAFEGUARDS

When working with electrical equipment, basic safety precautions should always be followed, including the following:

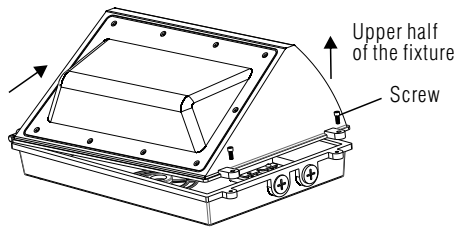
### READ AND FOLLOW ALL SAFETY INSTRUCTIONS

1. DANGER- Risk of shock- Disconnect power before installation.
2. This luminaire must be installed by the NEC or your local electrical code.  
If you are not familiar with these codes and requirements, please consult a qualified electrician.
3. Suitable for wet locations.
4. Make certain power is OFF before starting installation or attempting any maintenance.
5. Do not touch the LEDs or wires coming from the circuit board during the installation process. Damage may occur.

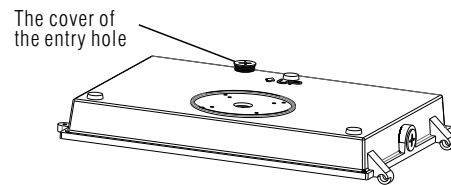


## Installation Procedure

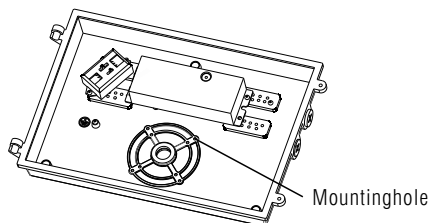
Step1: Unscrew as shown and remove the top half of the fixture



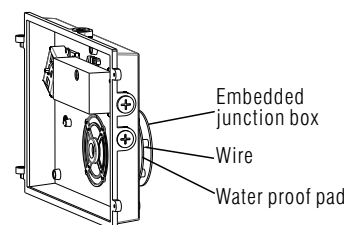
Step2: Unscrew the cover of the entry hole on the lampbase and remove the cover



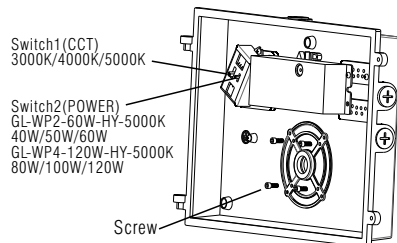
Step3: Use an electric drill to drill through the mounting hole on the base.



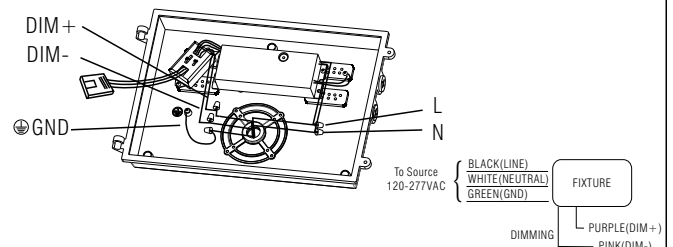
Step4: Put the input line in the embedded box pass through the waterproof pad and the n pass through the lamp base



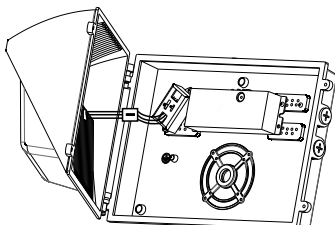
Step5: Use screw to lock the lamp base on the embedded junction box



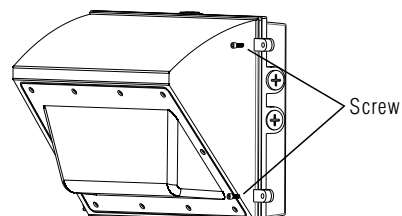
Step6: Connect the power input cable and the dimming wire



Step7: Connect the power supply output line and the lamp board wire, and adjust the switch to the appropriate gear



Step8: Use screws to lock the fixture, installation complete



## PACKAGING INFORMATION

### PACKAGING/WEIGHT

PART NO.	OUTER CARTON SIZE (L*W*H)	QTY/CARTON (PCS)	NET WEIGHT (KG)(LBS)	GROSS WEIGHT (KG)(LBS)	20GP (PCS)	40HQ (PCS)
AH LED WALL PACK	400*280*205mm 15-3/4"*11-1/32"*8-5/64"	1 pcs	2.28kg 5.03lbs	2.84kg 6.261lbs	1231	2842

### PACKAGING

