



# 6" RECESSED HOUSING SPECIFICATION SHEET

ITEM #:

**A7/LED/R**

**DESCRIPTION:**

IC type housing for LED Retrofit Kits, remodeling. For installation where the housing will be in direct contact with insulation and for remodel applications.

**JUNCTION BOX:**

- Listed for through branch circuit wiring.
- Contains seven 7/8", one 1-1/8" knockouts and four Romex plyouts with strain relief.

**REMODEL CLIPS:**

- Four remodel clips secure housing and accommodates 1/2" and 5/8" ceiling materials.

**CEILING THICKNESS:**

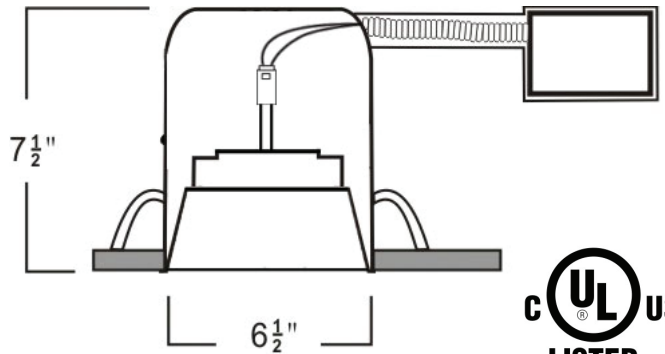
- Housing adjusts from 5/8" to 1-3/8" to accommodate various ceiling thickness.

**THERMAL PROTECTOR:**

- Self resetting thermal protector deactivates fixture if overheating occurs due to improper lamping or misapplied insulation.

**LISTINGS:**

- cUL Listed for Damp Location
- cUL Listed for Feed Through
- Certified under ASTM-E283 for Air Tight construction.



Project:	
Contact:	
Location:	
Fixture Type:	

Quantity	Notes