



LED TWIN HEAD EMERGENCY LIGHTS SPECIFICATION SHEET

SKU: AH-7069

Features:

- Injection-molded thermoplastic ABS housing
- UL-94V-0 flame rating, fire-resistant
- 3.6V Nickel Cadmium Battery

Specifications:

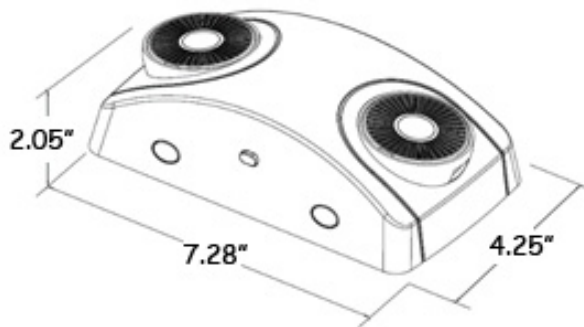
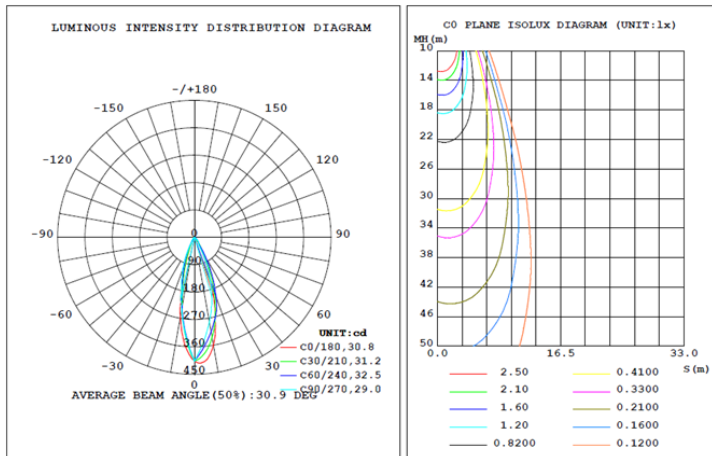
- Input voltage: 120/277V
- Power consumption: 0.5W max
- Output: 2W max
- Charging time: 24 HOURS
- Operating temperature: 0°C~40°C
- Dimension: 7.28" x 4.25" x 2.05" (185x108x52mm)
- Discharge time: 90 minutes



Listings:

- Certificate: UL / CUL

Photometric:



Project:	
Contact:	
Location:	
Fixture Type:	

Quantity	Notes